

Fiberglass Upblast Fan



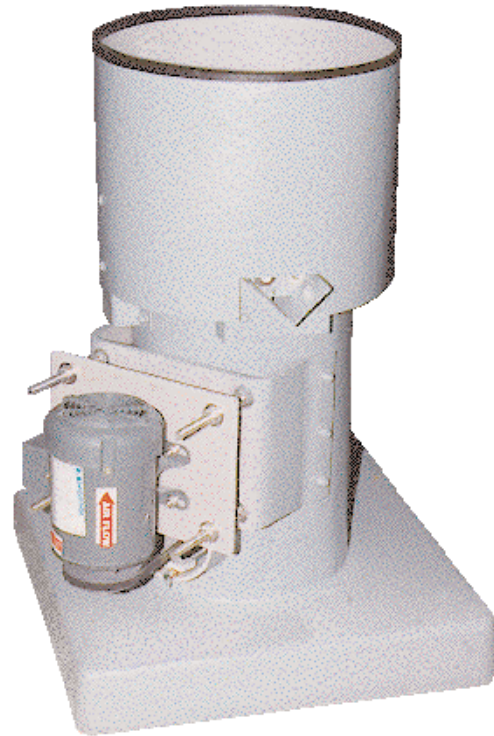
 **Polymil Products, Inc.**

51 North Street / P.O. Box 125
LeRoy, N.Y. 14482
Phone (585) 768-8170
Fax (585) 768-7830

Fiberglass Upblast Fan Features

Features

- **Sizes***: **Model UBD**: 12" thru 60" direct drive
Model UBB: 12" thru 72" belt drive
- **Construction**: Fiberglass, Hetron 99P® polyester resin, Class 1 flame spread of 25 or less with UV inhibitor. Standard color is gray.
- **Fan Housing**: Fiberglass construction with flanged ends. Synthetic veil provides smooth interior for efficient air flow and creates an impenetrable surface to most airstream corrosives.
- **Stack Cap**: Fiberglass construction. Entire stack cap can be easily removed for access to the fan wheel.
- **Curb Cap**: Fiberglass construction, integrally formed to fan housing. Size can be adapted to fit existing curbs.
- **Fan Propeller**: Highly efficient, air foil shaped fiberglass reinforced blades attached to a fiberglass hub. Bushing protected by a removable cap for easy maintenance.
- **Automatic Damper**: Fiberglass construction, butterfly type. Automatically swings up to the full open position to permit free passage of exhaust air and fumes. Automatically closes when the fan is turned off. Damper rods are FRP encapsulated in fiberglass. Rods rotate in polypropylene bearings.
- **Drive Tube**: Fiberglass construction including bearing mounts. Sealed with a polypropylene shaft seal.
- **Bearings**: Heavy duty, cast iron, pillow block type with regreaseable fittings.
- **Shaft**: 304 stainless steel.
- **Motor**: NEMA Design B, heavy duty, industrial continuous duty, totally enclosed with sealed ball bearings.

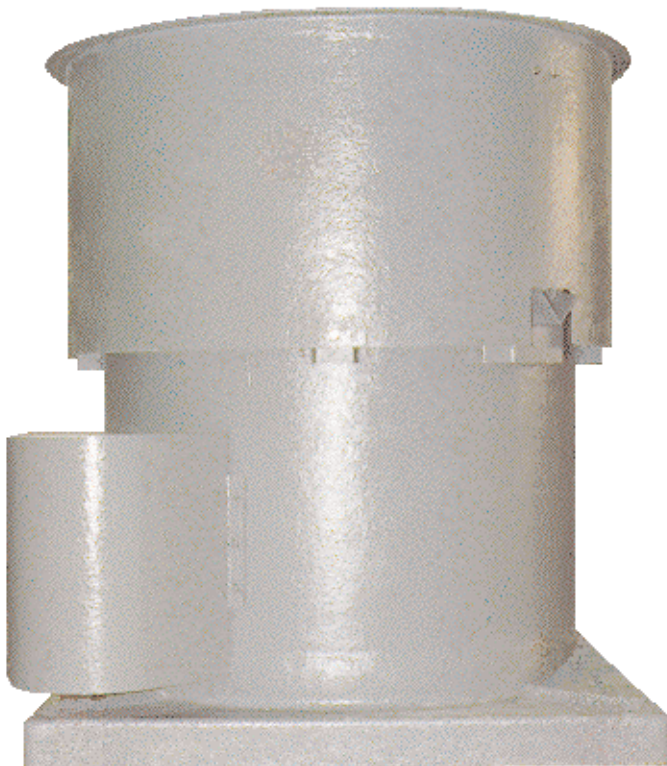


Severe duty motors are standard on direct drive units with the motor in the airstream.

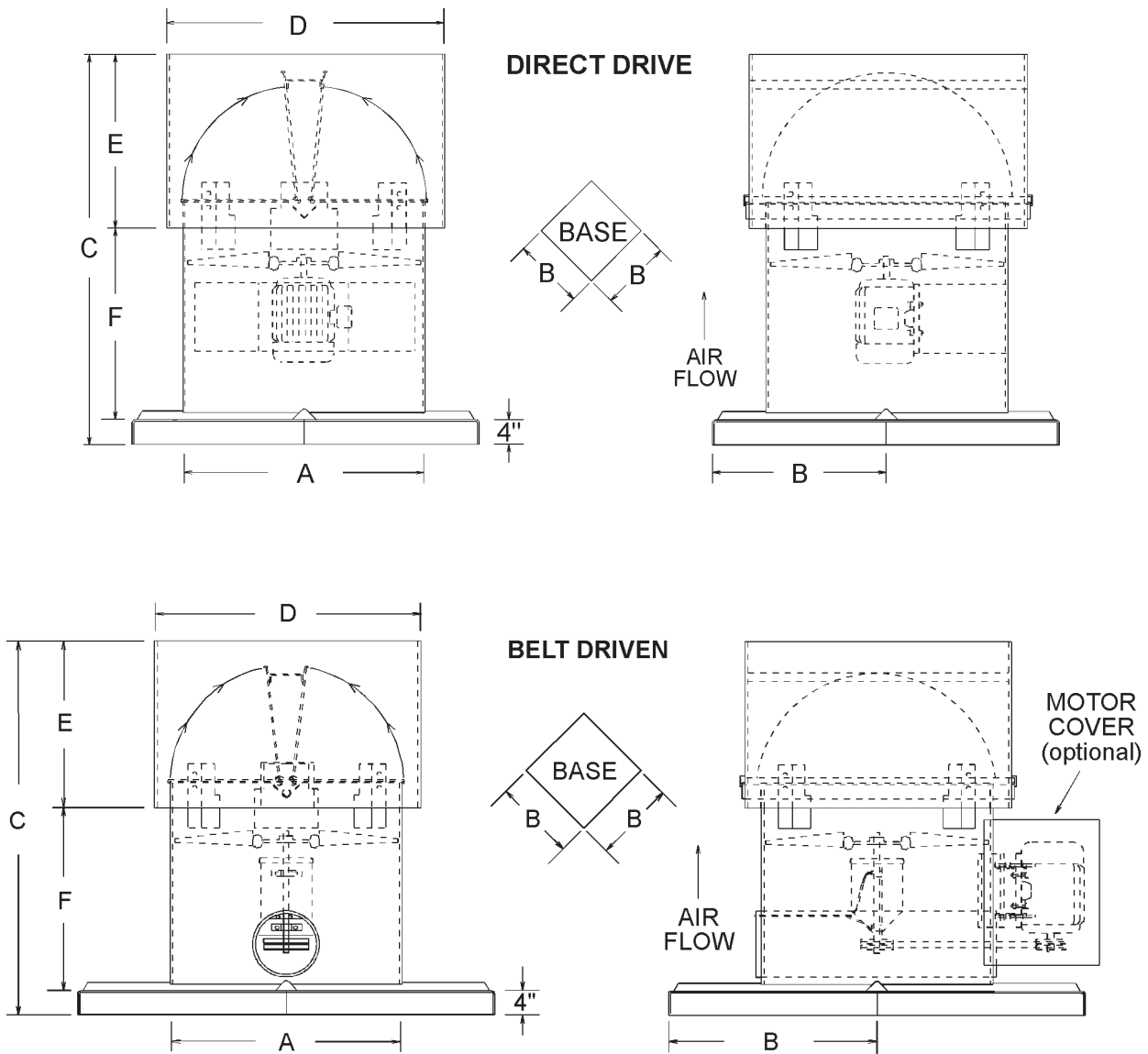
- **Motor Mount**: Fiberglass construction, adjustable for belt tensioning.
 - **Lube Lines**: Polypropylene, extended from bearings to the exterior of the unit.
 - **Motor Cover**: Fiberglass.
- * Other sizes are available. Consult factory.

Accessories

- **Isolated Design**: Motor is directly connected to the fan wheel but is completely sealed from the airstream in a ventilated housing. Reduces maintenance by eliminating belts and bearings.
- **Special Resins**: When specified, a choice of resins suited to a particular environment may be substituted. Carbon impregnation is available for explosive applications.
- **Hardware / Shaft**: 316 stainless steel or monel.
- **Disconnect Switch**: Non-fused, mounted to the exterior of the unit in a NEMA 3R enclosure. Can be factory pre-wired to motor.
- **Outlet Guard**: 1/2" polyethylene mesh.
- **Roof Curbs**: Available.



Fiberglass Upblast Fan Dimensions



Direct Driven							
Prop Dia. A	B	C*	D	E	F*	Stack Cap Thickness	Housing & Curb Thickness
12	22	41	16-1/2	13	24	1/8	3/16
14	24	41	18-1/2	13	24	1/8	3/16
16	26	42	20-1/2	14	24	1/8	3/16
18	28	44	22-1/2	14	26	1/8	3/16
20	30	46	24-1/2	16	26	1/8	3/16
24	34	48	28-1/2	18	26	1/8	3/16
28	38	52	32-1/2	20	28	1/8	3/16
30	40	52	34-1/2	20	28	1/8	3/16
32	42	54	36-1/2	22	28	1/8	1/4
36	46	58	40-7/8	24	30	1/8	1/4
42	52	63	49-7/8	29	30	1/8	1/4
48	58	70	56-1/4	32	34	3/16	5/16
54	66	75	62-1/4	35	36	3/16	5/16
60	72	78	68-1/4	38	36	3/16	5/16

* Dimension may vary with horsepower

Belt Driven							
Prop Dia. A	B	C*	D	E	F*	Stack Cap Thickness	Housing & Curb Thickness
12	22	41	16-1/2	13	24	1/8	3/16
14	24	41	18-1/2	13	24	1/8	3/16
16	26	42	20-1/2	14	24	1/8	3/16
18	28	44	22-1/2	14	26	1/8	3/16
20	30	46	24-1/2	16	26	1/8	3/16
24	34	48	28-1/2	18	26	1/8	3/16
28	38	52	32-1/2	20	28	1/8	3/16
30	40	52	34-1/2	20	28	1/8	3/16
32	42	54	36-1/2	22	28	1/8	1/4
36	46	58	40-7/8	24	30	1/8	1/4
42	52	63	49-7/8	29	30	1/8	1/4
48	58	70	56-1/4	32	34	3/16	5/16
54	66	75	62-1/4	35	36	3/16	5/16
60	72	78	68-1/4	38	36	3/16	5/16
72	84	84	80-3/8	44	36	3/16	3/8

* Dimension may vary with horsepower

Specifications

Direct Drive Upblast Fan

Furnish _____ each, size _____, Model UBD as manufactured by Polymil Products, Inc.

Unit shall be constructed of Hetron 99P® polyester resin with a Class 1 flamespread of 25 or less. Interior housing surface shall have a synthetic surfacing veil. The fan housing shall be of tube style construction with a minimum thickness of (3/16" for sizes 12" to 30", 1/4" for sizes 32" to 42", 5/16" for sizes 48" to 60"). The stack cap shall be of minimum thickness (1/8" for sizes 12" to 42", 3/16" for sizes 48" to 60"). Butterfly type dampers shall pivot in polypropylene bearings. The curb cap shall be integrally molded to the fan housing.

Fan propeller is to be directly mounted to the motor shaft. Fiberglass blades shall have an air foil and helical design and attached to a fiberglass hub. Motor mount shall be of solid fiberglass construction. All hardware shall be (304SS, 316SS, monel).

The fan shall have a capacity of _____ CFM at

_____ inch(es) static pressure standard air and equipped with a _____ HP, _____ RPM, motor mounted out of the airstream. It shall be rated for severe duty service and suitable for _____ volt, _____ phase, _____ cycle operation. Electrical connection motor leads are to be extended through conduit to the exterior of the unit to a junction box mounted to the fan housing. A motor with regreasable fittings shall have lubrication lines extended to the exterior of the unit and mounted next to the junction box.

Available accessories include: carbon impregnation with static grounding, disconnect switch mounted and wired, polyethylene mesh outlet guard and fiberglass roof curb.

Belt Drive Upblast Fan

Furnish _____ each, size _____, Model UBB as manufactured by Polymil Products, Inc.

Unit shall be constructed of Hetron 99P® polyester resin with a Class 1 flamespread of 25 or less. Interior housing surface shall have a synthetic surfacing veil.

The fan housing shall be of tube style construction with a minimum thickness of (3/16" for sizes 12" to 30", 1/4" for sizes 32" to 42", 5/16" for sizes 48" to 60" and 3/8" for size 72"). The stack cap shall be of minimum thickness (1/8" for sizes 12" to 42", 3/16" for sizes 48" to 72".) Butterfly type dampers shall pivot in polypropylene bearings. The curb cap shall be integrally molded to the fan housing.

Fiberglass propeller blades shall have an air foil and helical design and attached to a fiberglass hub.

The fan shall have a capacity of _____ CFM at _____ inch(es) static pressure standard air and equipped with a _____ HP, _____ RPM, motor mounted

out of the airstream It shall be standard NEMA design, totally enclosed and suitable for _____ volt, _____ phase, _____ cycle operation.

Bearings, shaft and drive shall be protected from the airstream by a fiberglass drive tube and mounted on fiberglass supports. The bearings shall be self-aligning heavy duty ball or roller type and designed for a minimum average life of 50,000 hours. Polypropylene lubrication lines shall extend to unit exterior and include grease fittings. The fan shaft shall be of (304, 316) stainless steel with a polypropylene shaft seal. Unit shall be equipped with a (fixed, adjustable) v-belt drive selected with a 1.5 service factor.

Motor and drive shall be protected by a fiberglass motor cover. All hardware shall be (304SS, 316SS, monel).

Available accessories include: carbon impregnation with static grounding, disconnect switch mounted and wired, polyethylene mesh outlet guard and fiberglass roof curb.



51 North Street/P.O. Box 125
LeRoy, NY 14482

Phone: (585) 768-8170 Fax: (585) 768-7830

Visit our website at: www.polymil.com

email us at: sales@polymil.com